

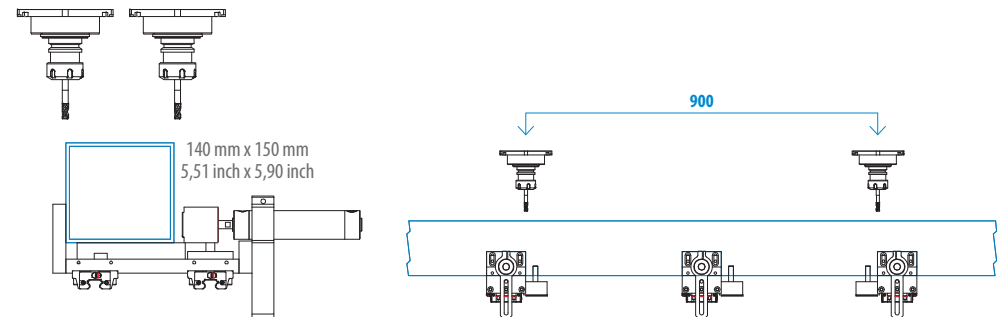
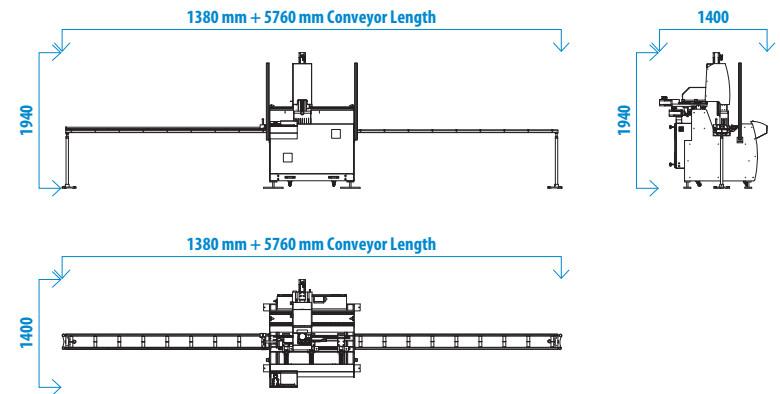
MAC-140 PVC Profile Processing Center



- PC controlled 3-axis interpolated vertical CNC machine.
- Able to move in 3 axis simultaneously on the work piece. (Axis interpolation)
- Ability to work with high accuracy on PVC door, window and facade profiles. (+/- 0,1mm)
- Ability to fix the profiles rigidly with 3 pieces clamp.
- Central lubrication system to ease the machine maintenance.

Technical Features

- Power Supply: 400 V, 3~50-60 Hz
- Total Power Output: 8 kW, 32 A
- Air Pressure: 6-8 bar
- Air Consumption: 80 l/min
- Spindle Motor Power: 5,5 kW
- Spindle Speed: 18000 rpm
- Max. Profile Length: 900 mm
- Max. Profile Width: 150 mm
- Min. Profile Width: 20 mm
- Max. Profile Height: 140 mm
- Min. Profile Height: 30 mm
- Machine Height: 1940 mm
- Machine Weight: 650 kg



650 kg



6-8 bar



8 kW, 32 A



H: 140 mm W: 150 mm L: 900 mm